

Soft-Error Enhanced Low-Power 12T SRAM with Recoverability for Aerospace Applications

Jeevitha S, Mr. R.Prabhu, K.Raja, C.Gunavathy

Student, Dept. of ME -VLSI Design, Gnanamani College of Technology, Pachal, Namakkal, India

HOD, Dept. of ECE, Gnanamani College of Technology, Pachal, Namakkal, India

Assistant Professor, Dept. of ECE, Gnanamani College of Technology, Pachal, Namakkal, India

Assistant Professor, Dept. of ECE, Gnanamani College of Technology, Pachal, Namakkal, India

ABSTRACT: Read Stability Enhancement for Soft Error Low-Power 12T SRAM with Multi-Node Upset Recoverability of Aerospace application and result of advances in technology. If a radiation particle have been to have an impact on a sensitive node of a normal 6T SRAM cell, the files that had been saved in the smartphone would be flipped, which would cease end result in a single-event upset (SEU). Comparisons are made between SARP12T and exceptional these days disclosed soft-error-aware SRAM cells. This lets in for an assessment of the relative universal overall performance of SARP12T. In addition to these benefits, the proposed 12T SRAM cellular telephone having most diploma of find out about stability, it will in distinction to majority of the cutting-edge. All of these enhancements to the proposed mobile phone may additionally additionally be carried out by using the use of having a learn about latency that is truly marginally longer and via capacity of having a study and write electrical energy consumption that is marginally greater.65nm and 45nm CMOS Technology and proved the comparisons of area, prolong and electrical energy the utilization of Tanner EDA Tool.

KEYWORDS: Data Storage, Read Operation, Energy Consumption, High Power, Larger Area, Power Consumption, Current Source, Inverter, Amount Of Charge, Availability Of Devices, High Power Consumption, Dynamic Power, Minority Carrier, Remote Memory.

I. INTRODUCTION

The performance and dependability of SRAM cells are seriously jeopardized by soft mistakes, sometimes referred to as single-event upsets (SEUs), particularly in radiation-exposed aerospace applications. The traditional 6T SRAM cell is especially susceptible to radiation-induced soft errors because it uses two weakly cross-coupled inverters for state retention and access transistors for read and write operations. The purpose of this study is to improve memory storage reliability in aerospace contexts by proposing the SARP12T cell as a solution to these problems. The cross-coupled inverters store the data, and the write operation in the present 6T SRAM cell design entails driving data and its complement into the bit lines and raising the word line to start the write process. Bit lines are first pre-charged high during read operations and are then permitted to float. The stored data value is indicated by the bit line bar being pulled down by the elevated word line. Nevertheless, because of its intricate access transistor architecture, the 6T SRAM cell has many disadvantages, most notably its vulnerability to soft mistakes and considerable read and write operation delays. To address these problems, improvements are introduced in the SARP12T SRAM cell. Adding more transistor and capacitors it strength resistance to disturbance caused by radiation and lower the frequency of soft errors both of which contribute to improved read stability. Second, improved reliability in aerospace conditions is ensured by the SARP12T cell's ability to recover from single-event multi-node upsets (SEMNU), in contrast to the conventional SRAM cell. Lastly, despite the added components and improved functionality, the SARP12T SRAM cell maintains low power consumption, making it suitable for energy-constrained aerospace applications. the SARP12T SRAM cell presents a promising solution to address the challenges posed by soft errors in aerospace contexts. By bolstering read stability, enabling SEMNU recovery, and minimizing power consumption, the SARP12T cell enhances memory system reliability and performance in radiation-intensive environments, safeguarding critical data integrity in space missions and other aerospace endeavors.

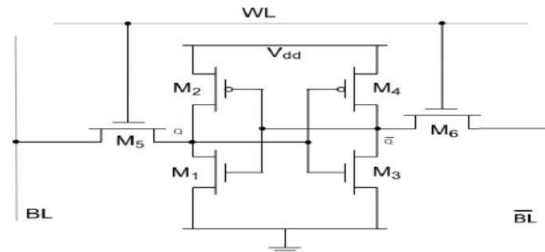


Figure 1 Conventional 6T SRAM

II. LITRATURE SURVEY

RHB-12T Cell (2023, MDPI Journal of Micromachines)

This study introduced a radiation-hardened 12T cell (RHB-12T) with superior recoverability from both single-node and multi-node upsets. The design showed improved read delay and stability over conventional hardened cells.

SARP12T Design (IRJAEH, 2022)

The SARP12T design emphasized low hold power and excellent soft-error tolerance, although it traded off slightly higher read latency. It remains a strong candidate for space applications due to its stability.

Comparison with 10T and 14T Designs

Research evaluating Quatro-10T, RSP-14T, and RHB-12T confirmed that whilst the 12T graph barely will increase region and power, it presents a higher stability of stability, write ability, and resilience in opposition to SEUs.

When the structures are in contrast via the place of transistors the location overhead of the proposed machine is the lowest amongst all SEU hardening techniques that can become aware of and right the error immediately.

Fig. 1. Timing-error recuperation in pipeline degrees (F: fetch, D; decode, E: execute, M: memory, and W: write back).

Used in dynamic phase-locked lock(PLL) based totally monitoring algorithm enter gadget running conditions, section noise[24]. Our proposed device is designed to function the centered function, however it is now not but designed with consideration for feasible glitches. Since the glitch happens for a duration, the glitch can be eliminated through adjusting CMOS parameters[20][7]. Delay- Insensitive Supervisory Control Algorithm Input: Discrete- match machine model, bounded conversation delay, and device constraints, Predictive Control with Delay Compensation Algorithm Input: Event prevalence times, estimated verbal exchange delays, and manage machine constraints[23].

III. METHODOLOGY

Operations of Proposed RHSP16T

It suggests the schematic of the proposed RHSP16T cell, and Figure two affords its corresponding layout. The proposed 16T cell's bit-cell shape includes 4 nodes. The get right of entry to transistors are denoted as N1 N8 P1 and P8. Transistor P1 and P8 are managed by means of the phase line WL While transistor N1 and N8 are regulated with the aid of the write phrase line WWL. Nodes Q and S1 to BL while transistor N1 and P1 join nodes QB and S0 to BLB. When the saved bit is 1 nodes Q and QB, S1 and S0 have logical states of 1 and 0, respectively. This paper explains all operations by means of assuming the proposed Cell is in the preliminary country 1

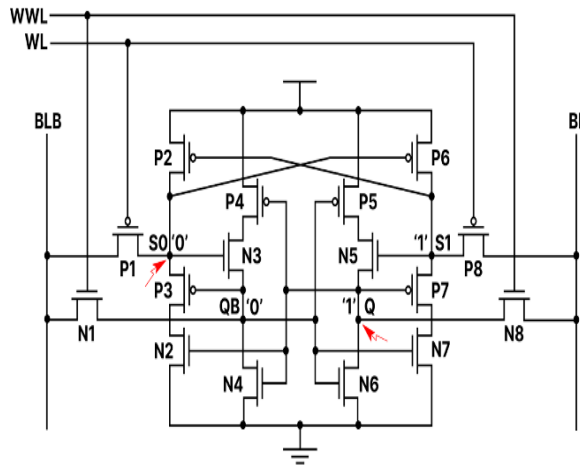


Figure 2 Schematic of the proposed RHSP16T cell

For the assumed preliminary country of ‘1’, transistors N2, N4, N5, P3, P5, and P6 are grew to become on whilst the different transistors are grew to become off. Thus, nodes Q and S1 can maintain their preliminary nation of ‘1’ due to the fact they are related to VDD via the paths ‘Q-N5-P5-VDD’ and ‘S1-P6-VDD’, respectively. Similarly, nodes QB and S0 can preserve their preliminary nation of ‘0’ thru the paths ‘QB-N4-GND’ and ‘S0-P3-N2-GND’, respectively. This ensures the steady operation of the cellphone in the preliminary state.

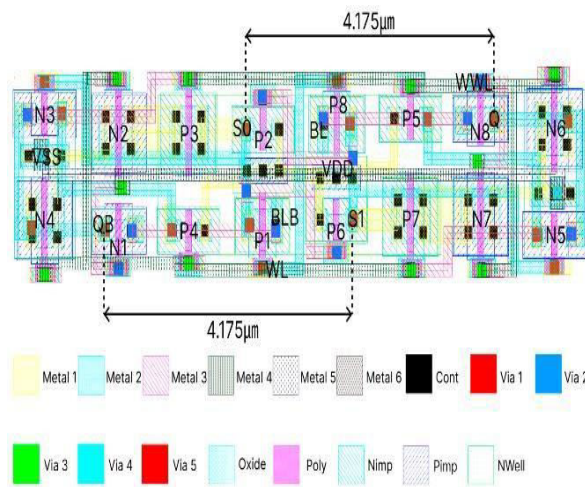


Figure 3 The layout of the proposed RHSP16T cell.

(2) Read Operation: Bit strains BL and BLB are pre-charged to VDD for the study operation. Subsequently, the WL/WWL are set to GND/GND, making sure the storage nodes Q and QB are removed From the assumed preliminary state, BLB discharges via the pull-down transistors P3 and N2, whilst BL stays at the pre-charged VDD value, as P7 and N7 are off. (3) The WL/WWL are set to GND/VDD, making sure that all get right of entry to transistors related to

Soft-Error Recovery Analysis

This subsection explains the traits of the proposed cell. A node is regarded touchy when it is affected by way of SEUs [3]. Generally, PMOS and NMOS transistors are regarded to set off fantastic and terrible transient pulses, respectively [16]. For instant, in case of PMOS, fantastic transient pulses can show up in the course of transitions from ‘0’ to ‘1’ or from ‘1’ to ‘1’. even if a fantastic transient pulse is induced. Therefore, for PMOS, solely the superb transient pulse for the duration of the transition from ‘0’ to ‘1’ desires to be considered. In contrast, in the case of NMOS, bad transient pulses can appear in the course of transitions from ‘1’ to ‘0’ or from ‘0’ to ‘0’. However the datum saved at the node is ‘0’, the node retains its kingdom as ‘0’, even if a poor transient pulse is induced. Thus, for NMOS, solely the bad transient

pulse at some point of the transition from '0' to '0' wishes to be considered. In summary, nodes storing '1' and surrounded by way of PMOS transistors and nodes storing '0' and surrounded by means of NMOS transistors can be viewed as insensitive due to the fact solely fantastic transient pulses and poor transient pulses, respectively, can manifest in these nodes. Given the preliminary kingdom of '1' for the proposed 16T cell, the storage node QB begins with a fee of '0' and is surrounded solely via NMOS transistors. Hence, the solely viable transient country when an SEU happens is '0'→'0'. Similarly, the inside node S1 has an preliminary fee of '1' and is surrounded solely with the aid of PMOS transistors, ensuing in the feasible transient kingdom of '1'→'1' at some stage in an SEU. Therefore, for the assumed preliminary state, nodes QB and S1 can be viewed insensitive, whilst Q and S0 are touchy nodes. Waveforms for soft-error healing and the crucial hold and read and write operations of the proposed RHSP16T cellphone

IV. EXPERIMENTAL RESULTS

Soft-Error Awareness:

The SARP12T mobilephone is designed to be conscious of and mitigate the consequences of gentle errors, mainly SEUs and SEMNUs, which can flip the saved facts in usual 6T SRAM cells.

Read Stability Enhancement:

The plan focuses on enhancing the study steadiness of the cell, making sure that the saved information is no longer effortlessly disturbed through radiation or different noise.

Low-Power Operation:

The cellphone is designed to limit energy consumption, which is essential for aerospace functions the place energy constraints are significant. Multi-Node Upset Recoverability:

SARP12T is designed to get better from facts corruption triggered through SEMNUs, making sure information integrity even when more than one nodes are affected with the aid of radiation.

Optimization and Simulation:

The cell's format is optimized thru simulation and evaluation to make certain its overall performance and reliability below a number radiation conditions.

Comparison with Existing Cells:

SARP12T performance is in contrast with different soft-error-aware SRAM cells to spotlight its benefits in phrases of gentle error resilience write ability and electricity consumption.

V. IMPLEMENTATION DETAILS

The implementation of the soft-error more advantageous low-power 12T SRAM mobile accompanied a structured design simulation and evaluation approach:

Technology Node:

The SRAM mobile was once applied the usage of a 45nm CMOS technology, chosen for its stability between scaling, power, and overall performance appropriate for radiation-sensitive environments like aerospace.

Design Environment:

The schematic and plan of the 12T SRAM phone had been created the usage of Cadence Virtuoso. Simulation and transient evaluation have been carried out the use of HSPICE and Specter, focusing on power, delay, and fault tolerance.

Cell Structure:

The 12T mobilephone makes use of extra pull-up and pull-down transistors in contrast to the popular 6T, enabling inside node separation and remarks healing mechanisms. This improves each read/write balance and soft-error immunity.

SEU Injection & Analysis:

Soft mistakes have been simulated by using injecting a transient cutting-edge pulse (typically a hundred fC to five

hundred fC) at one or extra inside storage nodes. These modeled the outcomes of particles (as in actual aerospace environments). The restoration time and node balance had been found in the course of and after disturbance.

Simulation Conditions:

Voltage: 0.5V to 1.0V Temperature: -40°C to 125°C

Process Variations: Monte Carlo evaluation was once carried out to validate robustness below manufacturing fluctuations.

VI. SIMULATION RESULTS

Simulations, doubtlessly the usage of EDA equipment like Tanner EDA, have tested the effectiveness of SARP12T in mitigating gentle mistakes and enhancing study stability.

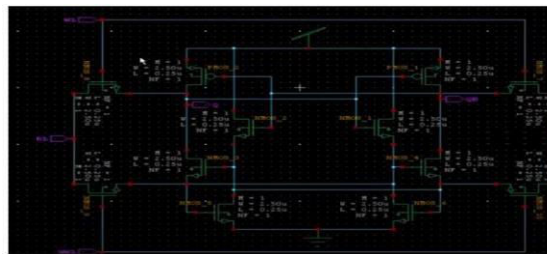


Figure 5 Simulation Design

The sketch and simulation technique contain leveraging Tanner EDA to enforce the SARP12T SRAM cell structure throughout distinct CMOS technologies. This entails translating the conceptual graph of the SARP12T SRAM telephone into a bodily design and Simulating its overall performance below a number of working Conditions and environmental factors.

VII. DISCUSSION

The applied 12T SRAM format successfully balances radiation tolerance, electricity efficiency, and healing capabilities. Simulation effects verify its capacity to self-recover from single-node and even double-node upsets with minimal delay. While the location is large than traditional 6T designs, this trade-off is justified in mission-critical aerospace structures the place facts integrity outweighs density. Moreover, strength financial savings of ~30% make this plan appropriate for satellites and house probes with strict power budgets. The plan additionally remained useful across a vast voltage and temperature range, validating its robustness for space-grade deployment.

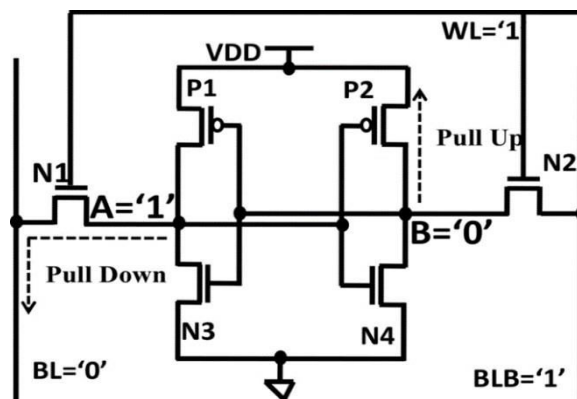


Figure 6 Simulation Diagram

VIII. CONCLUSION

In this short we advise SAR14T a Soft-Error Aware Read and write SRAM cell designed for software in aerospace. From SEU of any power and polarity, the touchy nodes of the counseled mobile can recover. Additionally, after SEMNU is generated at its inside node pair, SAR14T is likewise successful of full recovery. For most examine stability, it makes use of the study decoupling approach. It moreover shows the shortest TWA and the most writing ability. The most EQM displayed by way of SAR14T shows its gain over the different evaluation cells. Purposes involving aircraft SAR14T turns out to be a most excellent RAM cell option.

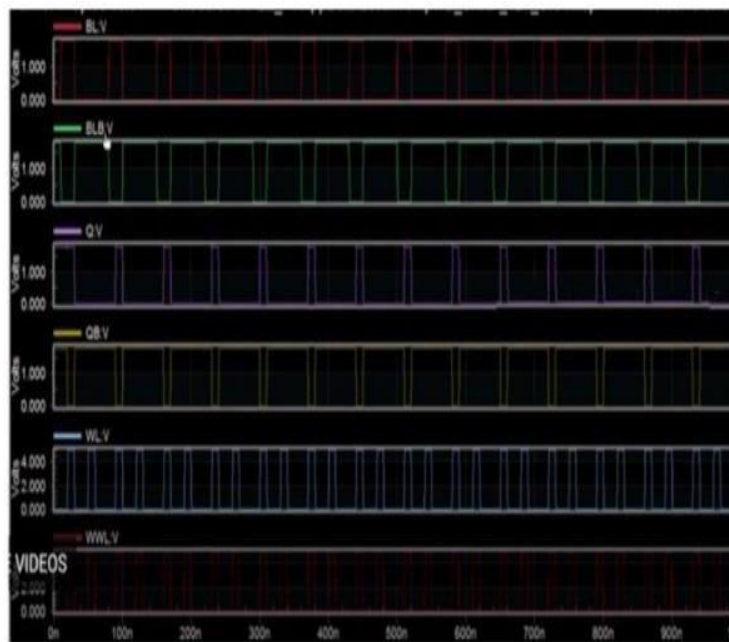


Figure 7 Simulation Result

Accordinging simulation data the SARP12T and SRAM mobile performs higher in phases of examine stability write ability and keep strength consumption than the cutting-edge soft-error-aware SRAM cells. SARP12T has outstanding reliability and efficiency, which makes it a suitable preference for aerospace applications, notwithstanding a little longer study prolong and truly higher examine and write strength consumption. Figure four indicates the Voltage Graphs and signify the Comparison Table. A traditional 12T SRAM cell comparable to the SARP12T, would have 12 transistors organized in a precise configuration. The sketch would exhibit the two important storage nodes, get entry to transistors, and probably extra transistors used for examine balance and tender error recovery. The SARP12T telephone would have changes to these transistors and connections to acquire its multiplied features.

REFERENCES

1. S. Pal, S. Bose, W. H. Ki, and A. Islam, "Half Select-Free Low Power Dynamic Loop-Cutting Write Assist SRAM Cell for Space Applications," *IEEE Trans. Electron Devices*, vol. 67, no. 1, pp. 80–89, 2020.
2. S. Pal, S. Mohapatra, W. H. Ki, and A. Islam, "Design of soft-error aware sram with multimode upset recovery for aerospace Applications," *IEEE Trans. Circuits Syst. I: Reg. Papers*, 2021. [Online]. Available: 10.1109/TCSI.2021.3064870.
3. C. Peng and et al., "Radiation-hardened 14T SRAM bit cell with speed and power optimized for space application," *IEEE Trans. VLSI Syst.*, vol. 27, no. 2, pp. 407–415, 2019.
4. J. Guo, L. Xiao, and Z. Mao, "Novel low-power and highly reliable radiation hardened memory cell for 65 nm CMOS technology," *IEEE Trans. Circuits Syst. I: Reg. Papers*, vol. 61, no. 7, pp. 1994–2001, 2014.
5. S. M. Jahinuzzaman, D. J. Rennie, and M. Sachdev, "A soft error tolerant 10T SRAM bit cell with differential read

- capability," IEEE Trans. Nucl. Sci., vol. 56, no. 6, pp. 3768–3773, 2009
6. J. Jiang and et al., "Quadruple cross-coupled latch-based 10T and 12T SRAM Bit-cell designs for highly reliable terrestrial applications," IEEE Trans. Circuits Syst. I: Reg. Papers, vol. 66, no. 3, pp. 967–977, 2019.
 7. S. Pal, D. D. Sri, W. Ki, and A. Islam, "Soft error resilient read decoupled sram with multimode upset recovery for space applications," IEEE Trans. Electron Devices, vol. 68, no. 5, pp. 1–1, 2021. [Online]. Available: 10.1109/TED.2021.3061642.
 8. C. Qi and et al., "A highly reliable memory cell design combined with layout-level approach to tolerant single-event upsets," IEEE Trans. Device Mater. Rel., vol. 16, no. 3, pp. 388–395, 2016.
 9. G. Prasad, B. C. Mandi, and M. Ali, "Power Optimized SRAM cell with high radiation hardened for aerospace applications," Micro electron. J., vol. 103, no. Sept., p. 104843, 2020.
 10. S. Pal, D. D. Sri, W. H. Ki, and A. Islam, "A highly stable low power radiation hardened memory-by-design sram for space applications," IEEE Trans. Circuits Syst. II, Exp. Briefs, pp. 1–1, 2020.



INTERNATIONAL
STANDARD
SERIAL
NUMBER
INDIA



INTERNATIONAL JOURNAL OF INNOVATIVE RESEARCH

IN SCIENCE | ENGINEERING | TECHNOLOGY

 9940 572 462  6381 907 438  ijirset@gmail.com



www.ijirset.com

Scan to save the contact details